

State of Wyoming Corner Record

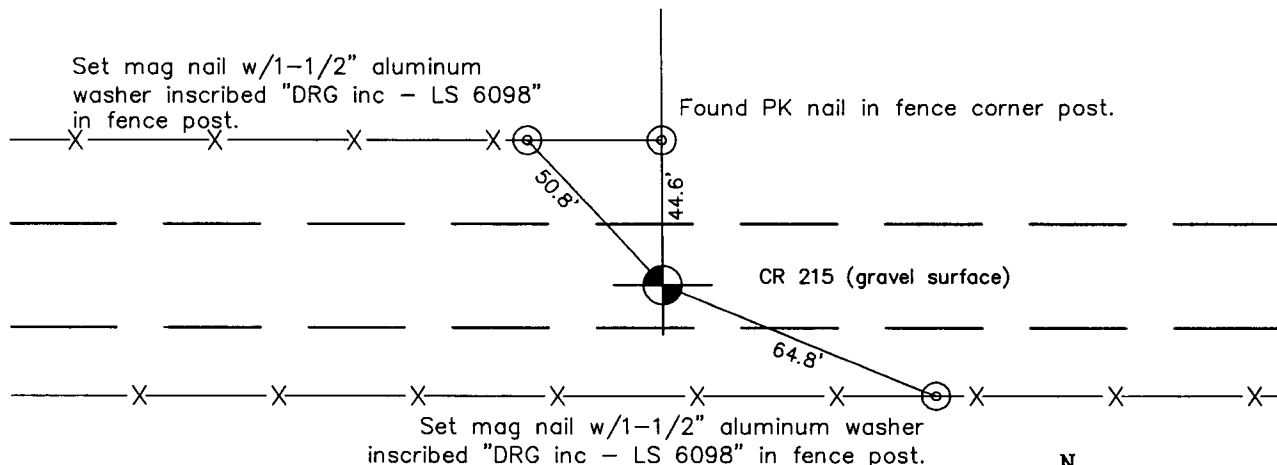
(In compliance with the **CORNER PERPETUATION AND FILING ACT**, Wyoming Statutes, 1997 Section 33-29-140 et. seq., and the Rules and Regulations of the Board of Professional Engineers and Professional Land Surveyors)

Reverse side of this form may be used if more space is needed.

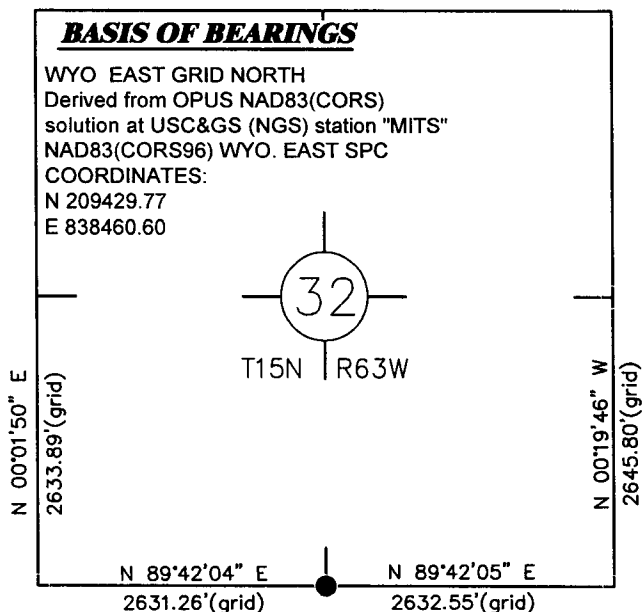
Record of original survey and citation of source of historical information (if corner is lost or obliterated). Description of corner monumentation evidence found and/or monument and accessories established to perpetuate the location of this corner. Sketch of relative location of monument, accessories, and reference points with course and distance to adjacent corner(s) (if determined in this survey). Method and rationale for reestablishment of lost or obliterated corner.

U.S.G.L.O. 1871 Record: Set a limestone 16x8x4 for 1/4 Sec. corner.

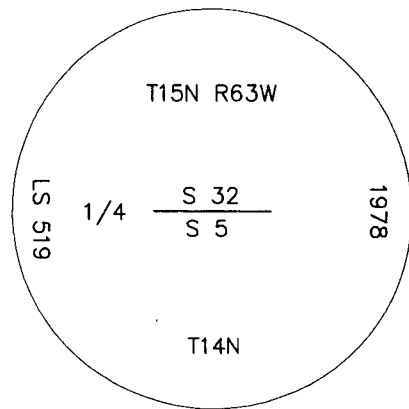
Found 2" Alumium cap 0.5' below gravel road surface per corner record dated October 19, 1990 and inscribed as shown below.



Monument location



WYO. SPC EAST GRID NORTH
Found 2" Alumium cap 0.5' below
gravel road surface per corner record
dated October 19, 1990 and inscribed
as shown below.



Monument Inscription

Date of Field Work: 3/12/11

Office Reference: 18665

Cross Index Plat

1	2	3	4	5	6	7	8	9	10	11	12	13	14	15	16	17	18	19	20	21	22	23	24	25	
A	+	+	+	+	+	+	+	+	+	+	+	+	+	+	+	+	+	+	+	+	+	+	+	+	A
B	+	+	+	+	+	+	+	+	+	+	+	+	+	+	+	+	+	+	+	+	+	+	+	+	B
C	+	6	+	+	5	+	+	+	4	+	+	+	3	+	+	+	2	+	+	+	1	+	+	+	C
D	+	+	+	+	+	+	+	+	+	+	+	+	+	+	+	+	+	+	+	+	+	+	+	+	D
E	+	+	+	+	+	+	+	+	+	+	+	+	+	+	+	+	+	+	+	+	+	+	+	+	E
F	+	+	+	+	+	+	+	+	+	+	+	+	+	+	+	+	+	+	+	+	+	+	+	+	F
G	+	7	+	+	8	+	+	+	9	+	+	+	10	+	+	+	11	+	+	+	12	+	+	+	G
H	+	+	+	+	+	+	+	+	+	+	+	+	+	+	+	+	+	+	+	+	+	+	+	+	H
J	+	+	+	+	+	+	+	+	+	+	+	+	+	+	+	+	+	+	+	+	+	+	+	+	J
K	+	+	+	+	+	+	+	+	+	+	+	+	+	+	+	+	+	+	+	+	+	+	+	+	K
L	+	18	+	+	17	+	+	+	16	+	+	+	15	+	+	+	14	+	+	+	13	+	+	+	L
M	+	+	+	+	+	+	+	+	+	+	+	+	+	+	+	+	+	+	+	+	+	+	+	+	M
N	+	+	+	+	+	+	+	+	+	+	+	+	+	+	+	+	+	+	+	+	+	+	+	+	N
O	+	+	+	+	+	+	+	+	+	+	+	+	+	+	+	+	+	+	+	+	+	+	+	+	O
P	+	19	+	+	20	+	+	+	21	+	+	+	22	+	+	+	23	+	+	+	24	+	+	+	P
Q	+	+	+	+	+	+	+	+	+	+	+	+	+	+	+	+	+	+	+	+	+	+	+	+	Q
R	+	+	+	+	+	+	+	+	+	+	+	+	+	+	+	+	+	+	+	+	+	+	+	+	R
S	+	+	+	+	+	+	+	+	+	+	+	+	+	+	+	+	+	+	+	+	+	+	+	+	S
T	+	30	+	+	29	+	+	+	28	+	+	+	27	+	+	+	26	+	+	+	25	+	+	+	T
U	+	+	+	+	+	+	+	+	+	+	+	+	+	+	+	+	+	+	+	+	+	+	+	+	U
V	+	+	+	+	+	+	+	+	+	+	+	+	+	+	+	+	+	+	+	+	+	+	+	+	V
W	+	+	+	+	+	+	+	+	+	+	+	+	+	+	+	+	+	+	+	+	+	+	+	+	W
X	+	31	+	+	32	+	+	+	33	+	+	+	34	+	+	+	35	+	+	+	36	+	+	+	X
Y	+	+	+	+	+	+	+	+	+	+	+	+	+	+	+	+	+	+	+	+	+	+	+	+	Y
Z	+	+	+	+	+	+	+	+	+	+	+	+	+	+	+	+	+	+	+	+	+	+	+	+	Z
1	2	3	4	5	6	7	8	9	10	11	12	13	14	15	16	17	18	19	20	21	22	23	24	25	

Corner Name South 1/4 Corner Section 32, T 15 N, R 63 W, 6th P.M.

Same as North 1/4 Corner Section 5, T 14 N, R 63 W, 6th P.M.

County: Laramie, Wyoming

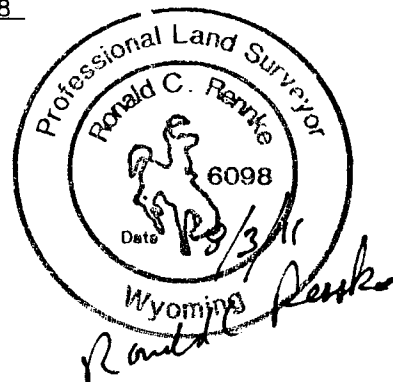
SBRPEPLS/PLSW: March 1994; PLSW January 1998

Firm/Agency, Address

RONALD C. RENNKE
D. R. GRIFFIN & ASSOCIATES
1414 ELK STREET
ROCK SPRINGS, WYOMING 82901
Telephone Number: (307) 362-5028

This corner record was prepared by me or under my direction and supervision.

SEAL & SIGNATURE



RECORDED 8/09/2011 AT 10:18 AM REC# 573800 BK# 2231 PG# 484
DEBRA K. LATHROP, CLERK OF LARAMIE COUNTY, WY PAGE 1 OF 1

Cross-Index No.: Z-7

Cross-Index No.: A-7